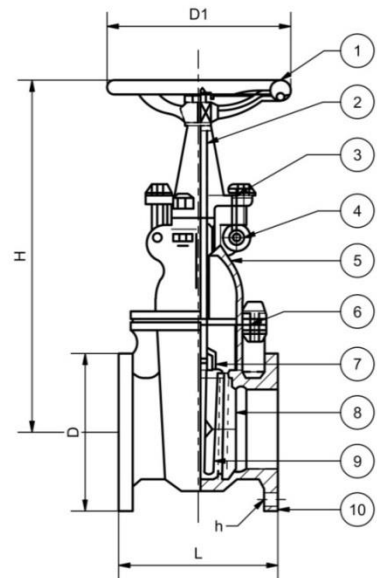


Industrial Pattern Wedge Gate Valve PN10 BS3464

- Robust Design
- Face to Face BS3464
- Rising Spindle or Non Rising Spindle
- Temperature -15°C to 120°C
- Drilled BS10 or Table D



Material List		
Item	Part	Material
1	Hand Wheel	SG Iron - Grd 420/12
2	Spindle	Stainless Steel
3	Cap Screw	SS - Grd 304/316 HT Grd 8.8
4	Stem Packing	Graphite
5	Bonnet	SG Iron - Grd 420/12
6	Bonnet Gasket	NBR
7	Stem Nut	Steel
8	Body Seat Ring	Brass
9	Gate	Cast Iron with Brass Sealing Ring
10	Body	SG Iron - Grd 420/12



Dimensions						
DN	L	D	h	D1	H	Mass (Hand Wheel Included) kg
50	146	165	18	165	252	14
65	159	185	18	165	270	17
80	165	200	18	165	308	24
100	171	220	18	242	367	33
125	190	250	18	266	433	39
150	210	285	22	345	486	61
200	241	340	22	345	588	79
250	273	405	26	376	697	136
300	305	460	26	450	792	205