

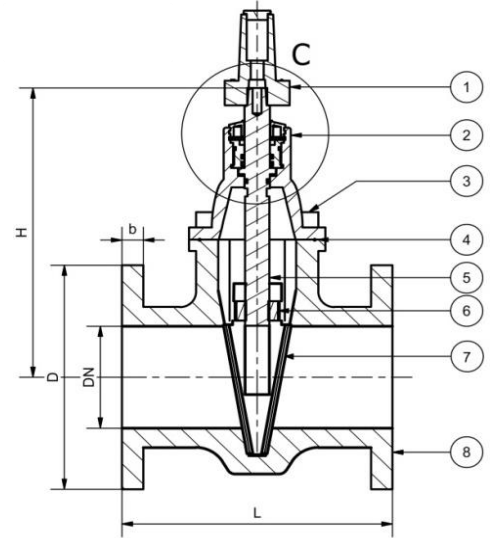
Metal Seated Wedge Gate Valve

Flanged PN16 SANS 664

- Non Rising Spindle
- Fusion Bonded Epoxy Coated
- SG Iron Gate with Brass ASTM Trim
- Drilled SANS 1123 OR BS4504
- Right or Left Hand Closing
- Cap Top OR Hand Wheel Operated
- Designed to SANS 664



Material List		
Item	Part	Material
1	Cap Top	SG Iron - Grd 420/12
2	Bonnet	SG Iron - Grd 420/12
3	Cap Screw	SS - Grd 304 / 316 / HT Steel - Grd 8.8
4	Bonnet Gasket	O-Ring Type- protects bolts against corrosion
5	Spindle	Stainless Steel - Grd 410
6	Gate Nut	Brass
7	Gate	SG Iron with Brass ASTM Trim
8	Body	SG Iron - Grd 420/12 – FBE Coated
9	Circlip	Stainless Steel - Grd 410
10	O-Rings	Nitrile Rubber – NBR x 2
11	Bolt	SS - Grd 304 / 316 / HT Steel - Grd 8.8
12	Dust Wiper Seal	Nitrile Rubber – NBR
13	Gland Housing	Brass
14	Washer	Brass
15	Coating	FBE 250 Micron Min. (Signal Blue)



Dimensions					
DN	L	D	b	H	Mass (kg)
50	216	165	19	265	13
80	229	200	19	290	20
100	254	220	19	320	25
150	280	285	20	390	42
200	317	340	20	470	67

