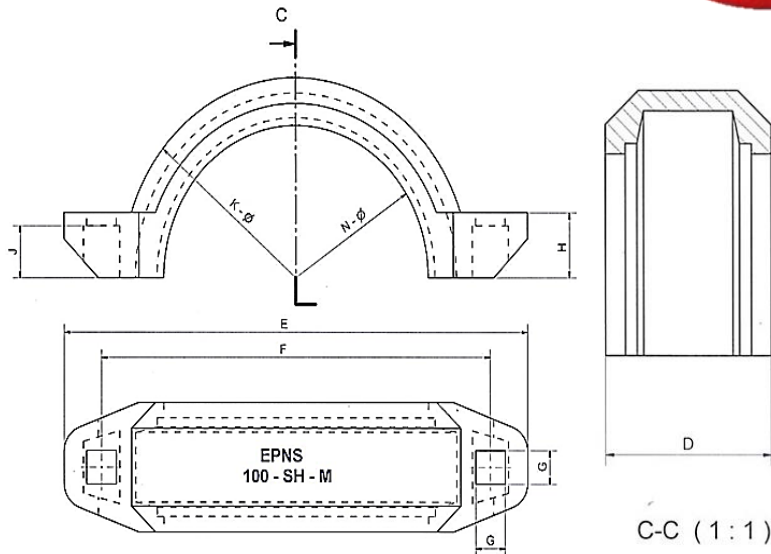
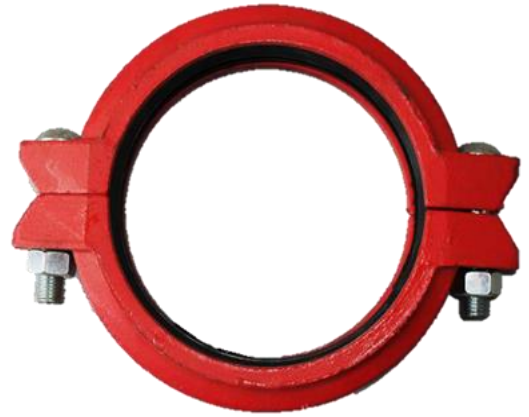


Grooved Coupling

3.5Mpa

- Designed To SABS 815 – 2
- Body – S.G. Iron
- Seals – SBR Rubber SABS 974
- Also in NBR or EPDM
- Bolts – Grade 4.8 – Nickel Plated
- ULFM Approved



Dimensions					
Nominal Diameter (mm)	Pipe Outside Diameter (mm)	Size of Bolts & Nuts	Maximum Overall Size (mm)		Mass (kg)
			L	H	
40	48.3	2 - M10x45	112	44	
50	57	2 - M10x55	125	45	1.05
65	76.1	2 - M10x55	134	45	
80	88.9	2 - M12x60	160	45	1.44
100	114.3	2 - M12x65	193	47	2.2
150	165.1	2 - M12x75	248	47	3.44
200	219.1	2 - M16x85	330	60	6.7
250	273	2 - M22x130	420	64	7.7
300	323.9	2 - M22x130	454	64	9
350	355.6	2 - M22x130	480	72	