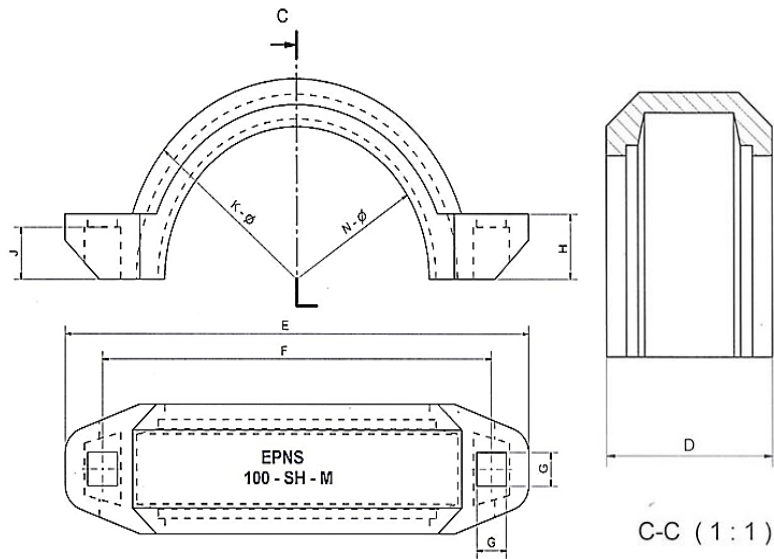
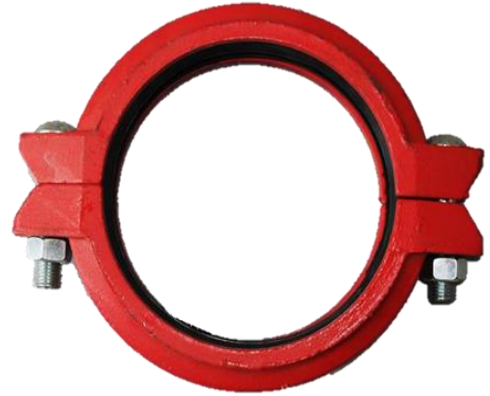


Shouldered Couplings

3.5Mpa

- Flexible coupling to fit shoulder pipe as per SABS 815 – 1
- Body – S.G. Iron
- Seals – SBR Rubber, NBR or EPDM
- Bolts – Grade 4.8 – Nickel Plated
- Painted or galvanized



Dimensions					
Size	Pipe Size	D	E	Bolt Size	Mass (kg)
50	60.3	48	132	2 - M12x60	1.05
80	88.9	48	170	2 - M12x75	1.44
100	114.3	52	206	2 - M12x75	2.2
150	165.1	52	273	2 - M16x85	3.44
200	219.1	64	346	2 - M20x100	6.7
250	273	64	416	2 - M22x130	7.7
300	323.9	64	474	2 - M22x130	9