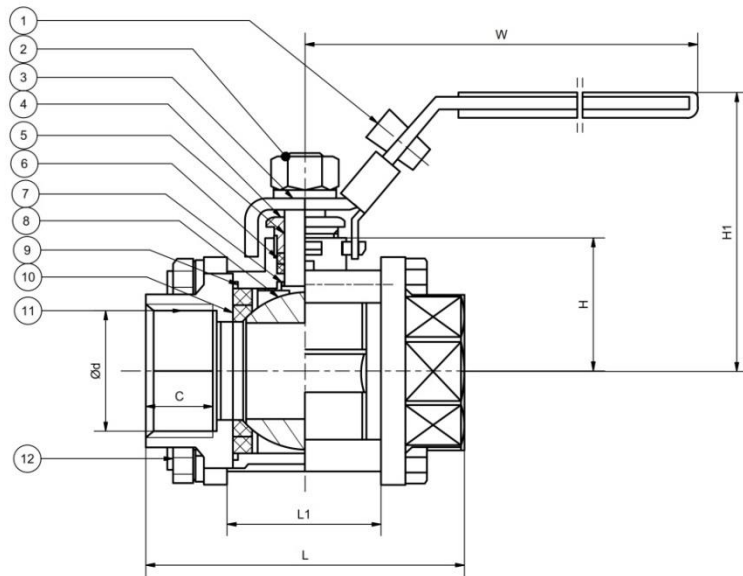


3 Piece Ball Valve Stainless Steel

- The thread ends conform to NPT, BSPT, DIN259, DIN2999 and ISO228 Class A
- Investment casting body
- Blow-out proof stem / reduce port
- 1000psi (69Bar) WOG
- PTFE Seal and Packing
- Locking Device



Material List		
Item	Part	Material
1	Locking device	Stainless Steel
2	Handle Nut	A2-70
3	Handle	Stainless Steel
4	Gland Packing	PTFE
5	Spindle	A276 - SS316
6	Packing	PTFE
7	Spindle Gasket	PTFE
8	Ball	A276 - SS316
9	Gasket	PTFE
10	Seat	PTFE
11	End Cap	A351-CF8M
12	Nut	A2-70



Dimensions						
Size		d	L	H1	W	Mass (kg)
mm	Inch					
8	1/4"	11.6	52	48	112	0.29
10	3/8"	11.6	52	48	112	0.29
15	1/2"	15	63.4	52	12	0.39
20	3/4"	20	71	61	137	0.61
25	1"	25	80.6	65	137	0.86
32	1 1/4"	32	94	79	187	1.37
40	1 1/2"	38	104	83	187	2.04
50	2"	50	126.4	91	87	3.74
65	2 1/2"	65	160	135	215	6.44
80	3"	78	179.5	144	215	10.20
100	4"	100	220	157	265	24.10