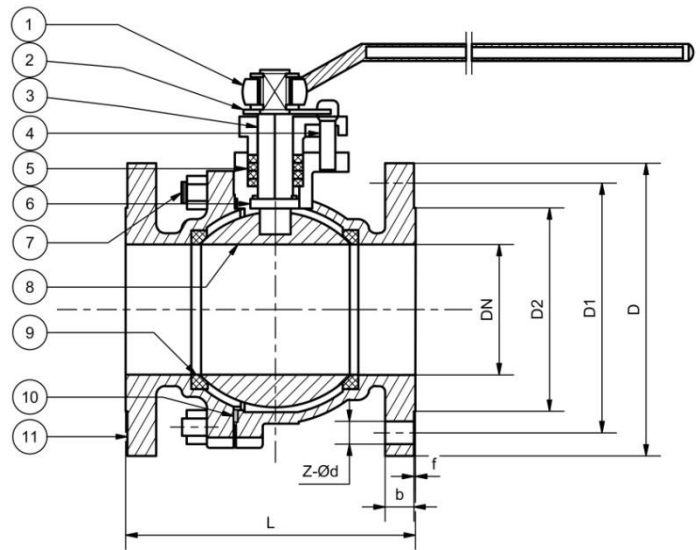


2 Piece Ball Valve Stainless Steel

- The flange ends refer to ANSI B 16.5
- Face to Face: ANSI B 16.10
- Wall Thickness: ANSI B 16.34
- ANSI 150/300
- Investment casting
- Blow- Out proof system
- Full Port
- PTFE seal and packaging
- ISO 5211 mounting pad



Material List		
Item	Part	Material
1	Handle	ASTM A36 (A536)
2	Stop Plate	ASTM A276 – 316
3	Gland	ASTM A35 1- CF8
4	Screw	Stainless Steel - Grd 304
5	Packing	PTFE
6	Gasket	PTFE
7	Nut	Stainless Steel - Grd 304
8	Ball	Stainless Steel - Grd 316
9	Seat	PTFE
10	Gasket	PTFE
11	Body	Stainless Steel - Grd 316

Dimensions							
DN	L		H	W	SH.SQ	Torque N - M	Mass (kg)
	150	300					150
15	108	140	73	130	11	4	2.5
20	117	153	76	130	11	4	3
25	127	165	86	160	14	10	4.5
32	140	178	91	160	14	20	5.7
40	165	190	119	205	17	20	7
50	178	216	127	205	17	40	10
65	190	241	136	325	17	55	14
80	203	282	164	325	22	80	18
100	229	305	178	325	22	120	26
150	394	-	240	540	26	227	57
200	457	502	310	700	27	-	93
250	533	568	325	800	27	-	147
300	620	648	365	900	27	-	-