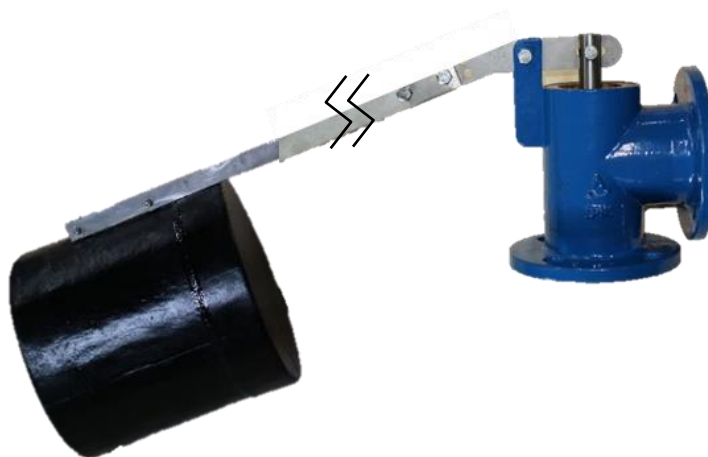
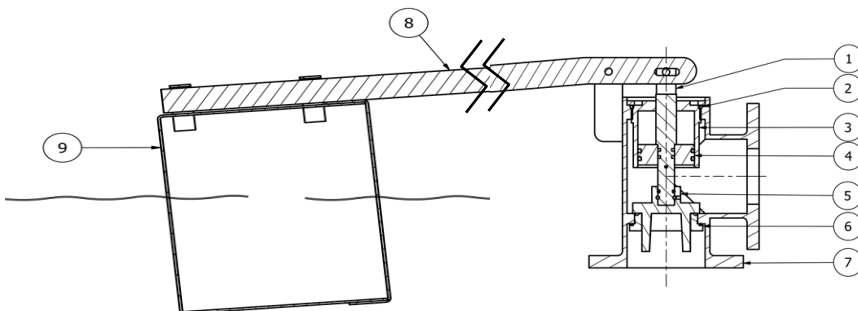


Equilibrium Float Valve PN16

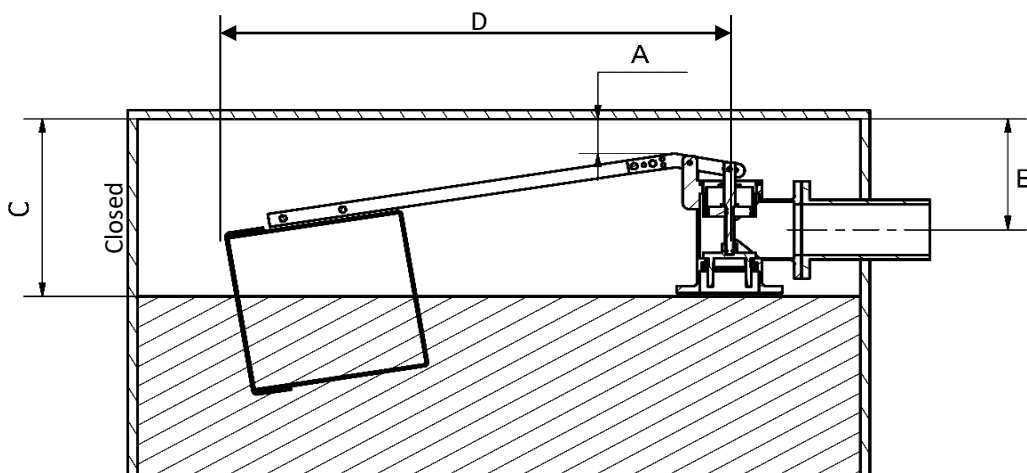
- Locally manufactured
- Has a large orifice, allows for good flow
- Easily maintainable
- Valve shut off level can be adjusted



Material List		
Item	Part Name	Material
1	Spindle	Stainless Steel - Grd410
2	O-Ring	NBR
3	Top Plug	Brass, LG2
4	Piston	Brass, LG2
5	Gate	SG Iron EPDM/NBR Encapsulated
6	Bottom Seat	Brass, LG2
7	Body	SG Iron FBE Coated
8	Arm	Stainless Steel - Grd410
9	Float	Fibre Glass Polyurethane



TANK INSTALLTION



Tank Installation Dimensions							
DN	A	B	C	D	Float Drum Size (Litre)	Mass (kg)	Max Flow Rate on 2m/s pipe Velocity
50	20	150	320	1030	20 l	17	4 l/s
80	30	200	350	1060	20 l	22	10 l/s
100	50	250	400	1060	20 l	25	18 l/s
150	80	300	420	1090	20 l	47	40 ls