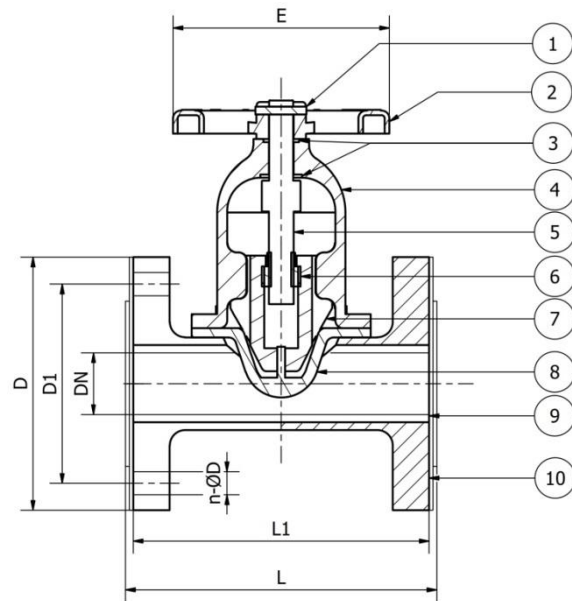


# Diaphragm Valve PN10

- Face to Face according to EN558-1 (exBS5156)
- Flange According to: BS4504 PN 10
- Working Pressure:
  - DN 50-DN125: 1.0Mpa
  - DN 150-DN200 : 1.0MPa
  - DN 250-DN300: 0.4MPa
- Non Rising
- Diaphragm: Fibre reinforced Soft Natural Rubber



Material List		
Item	Description	Material
1	Pin	Spring Steel
2	Hand Wheel	Ductile Iron, Epoxy Coated
3	Trust Collar	Polypropylene
4	Bonnet	Ductile Iron, FBE Coated
5	Spindle	410 Stainless Steel
6	Spindle Nut	DZR Brass
7	Compressor	Cast Iron GG25
8	Diaphragm	Fibre Reinforced Soft Natural Rubber
9	Lining	Natural Rubber
10	Body	Ductile Iron, FBE Coated



Dimensions					
DN	L	L1	D	E	Mass (kg)
50	196	190	185	160	11
80	260	254	200	250	23
100	311	305	220	315	29
150	412	406	285	400	64
200	527	521	340	500	100
250	641	635	395	500	200
300	755	749	445	630	268