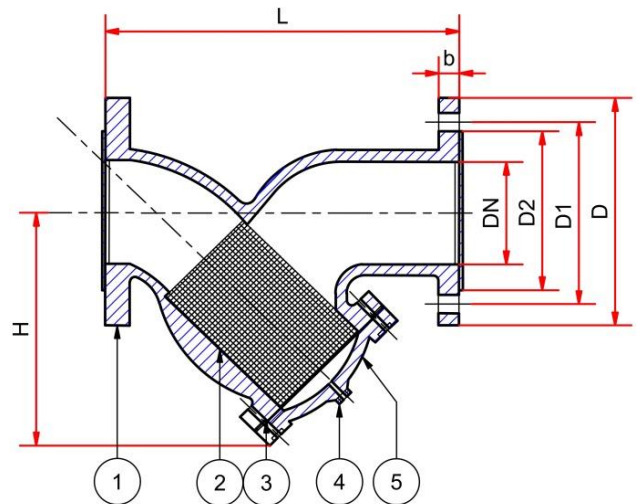


Flanged Y-Strainer PN16



- Face to Face dimensions according to DIN3202, F1
- Flange dimensions according to DIN2501 PN 10/PN16
- Nominal Pressure PN10/PN16
- The mesh of wire screen or the hole dimensions of the perforated screen can be as per the customer's requirements
- Bonnet and body metal to metal with o-ring type seal
- Straight through nut & bolt – easy disassembly and assembly for cleaning screen

Material List		
Item	Part	Material
1	Body	Ductile Iron FBE Coated
2	Screen	Mesh 304 Stainless Steel
3	Gasket	NBR O-Ring
4	Blow off plug	Stainless Steel
5	Bonnet	Ductile Iron FBE Coated



Dimensions											
DN	L	D	D1	D2	b	Z-φd	H	f	Mass (kg)	Mesh Thickness	Mesh Size
50	230	165	125	102	18	4-18	168	3	7	0.6	1.5 x 2.5
65	290	185	145	122	18	4-18	178	3	9	0.6	1.5 x 2.5
80	310	200	160	138	20	8-18	215	3	12	0.6	1.5 x 2.5
100	350	220	180	158	20	8-18	249	3	15	0.6	1.5 x 2.5
125	400	250	210	188	22	8-18	268	3	26	0.8	3 x 5.5
150	480	285	240	212	22	8-23	292	3	30	0.8	3 x 5.5
200	600	340	295	268	24	12-23	316	3	48	1	3 x 5.5
250	730	405	355	320	30	12-27	428	3	96	1	3 x 5.5
300	850	460	410	370	30	12-27	492	4	145	1	3 x 5.5