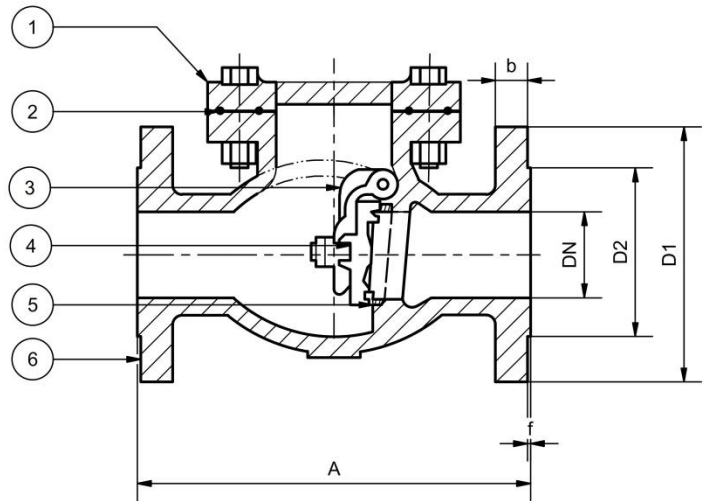


# Flanged Swing Check Valve with Brass Trim PN16

- SG Iron Body
- Designed to BS5153
- Seat Ring Brass
- PN16



Material List		
Item	Part	Material
1	Bonnet	Cast Iron
2	Body Gasket	Graphite
3	Hanger	Ductile Iron
4	Disc	Cast Iron
5	Seat Ring	Cast Bronze
6	Body	Cast Iron



Dimensions					
DN	A	D	b	f	Mass (kg)
50	203	165	20	3	15
65	216	185	20	3	15
80	241	200	22	3	19
100	292	220	22	3	30
125	330	250	24	3	60
150	356	285	26	3	60
200	495	340	30	3	112
250	622	405	32	3	196
300	698	460	32	4	200