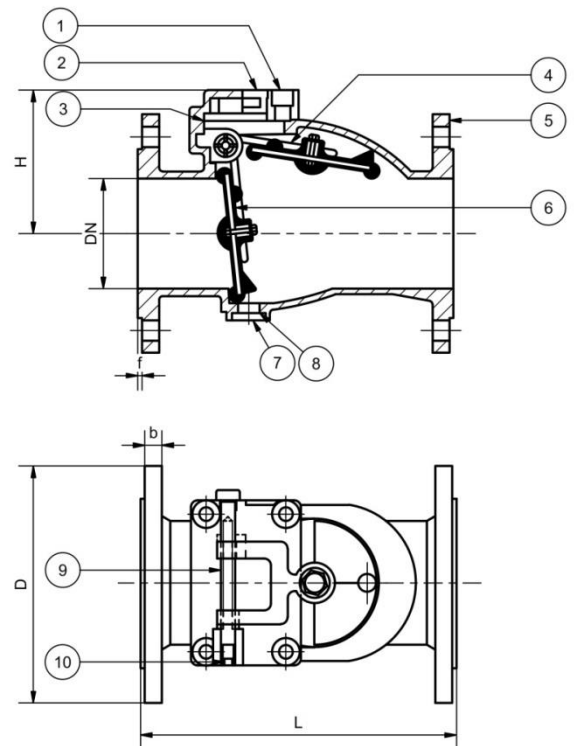


Flanged Swing Check Valve PN16

- Designed to BS5153
- Complies to SANS 1551-2 2007
- SG Iron Body
- EPDM Encapsulated SG Iron Gate with Stainless Steel Swing Arm
- NBR Encapsulated Gate on request
- Counter Weight added on request
- Coating: FBE – 250 Micron (Signal Blue)
- PN16



Material List		
Item	Part	Material
1	Cap Screw	HT Steel - Grd 8.8
2	Bonnet	SG Iron - Grd 420/12
3	O-Ring	NBR / EPDM
4	Hanger Pin	Stainless Steel - Grd 410
5	Split Pin	Stainless Steel - Grd 304
6	Swing Arm	Stainless Steel - Grd 304
7	Body	SG Iron - Grd 420/12 FBE Coated
8	Gate	EPDM Encapsulated SG Iron
9	O-Ring	NBR / EPDM
10	Drain Plug	Brass

Dimensions						
DN	L	D	b	f	H	Mass (kg)
50	203	165	19	3	100	8
80	241	200	19	3	130	13
100	292	220	19	3	140	16
150	356	285	19	3	195	27
200	495	340	20	3	213	50
250	622	405	25	3	265	90
300	698	485	28	4	295	119