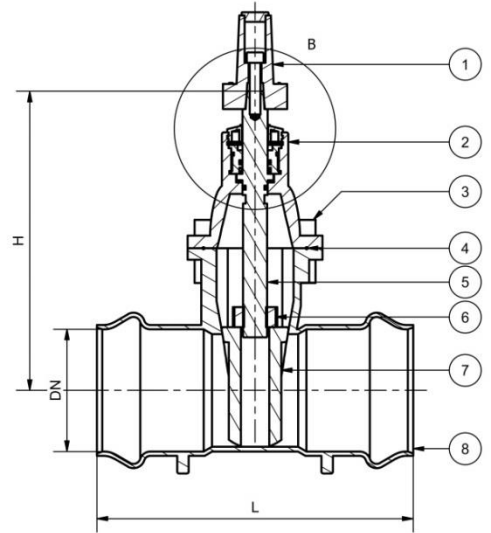


Resilient Seal Gate Valve Socket-Ended – SANS 664



- Non Rising Spindle
- Fusion Bonded Epoxy Powder coated / Epoxy Coated
- Gate SG Iron EPDM Encapsulated
- NBR Encapsulated gate on request
- Right hand or left hand closing
- Cap Top or Hand Wheel Operated

Material List		
Item	Part	Material
1	Cap Top	SG Iron - Grd 420/12
2	Bonnet	SG Iron - Grd 420/12
3	Cap Screws	SS - Grd 304/ 316 / HT Steel Grd 8.8
4	Bonnet Gasket	O-Ring Type- Protects bolts against corrosion - NBR
5	Spindle	SS Grd 410 / 304
6	Gate Nut	Brass
7	Gate	SG Iron EPDM / NBR Totally encapsulated
8	Body	SG Iron - Grd 420/12 – FBE Coated
9	Circlip	SS - Grd 410
10	O-Ring	NBR x 2
11	Bolt	SS - Grd 304/ 316 / HT Steel Grd 8.8
12	Dust Wiper Seal	NBR
13	Gland Housing	Brass
14	Washer	Brass
15	Coating	FBE 250 Micron Min. (Signal Blue)



Dimensions				
Description	DN	L	H	Mass (kg)
40/50	50	300	200	6
50/63	63	335	210	8
65/75	75	335	235	10
80/90	90	335	260	13
100/110	110	355	290	16
150/160	160	405	380	30
200/200	200	450	445	49
250/250	250	450	555	80
300/315	315	500	620	115

