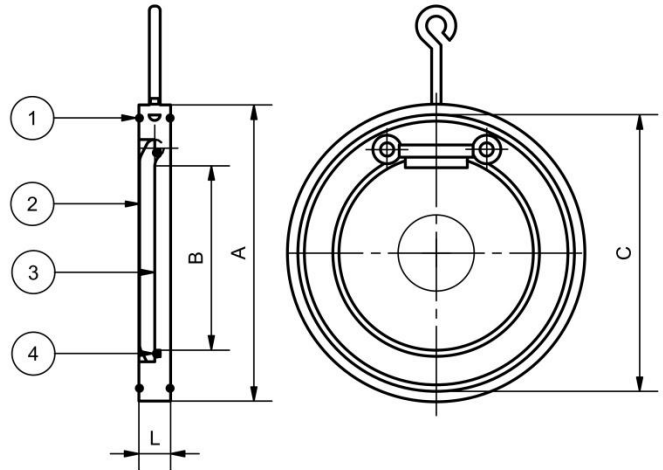


# Wafer Single Door Stainless Steel Flap Valve – PN16

- Full Stainless Steel single Door
- PN16



Material List		
Item	Part	Material
1	Body O-Ring	EPDM / NBR / Viton
2	Door	316 Stainless Steel
3	Body	316 Stainless Steel
4	Flap O-Ring	EPDM / NBR / Viton



Dimensions					
DN (mm)	A	B	L	C	Mass (kg)
50	107	32	14	87	1
65	127	40	14	109	1
80	142	54	16	119	1
100	162	70	16	147	2
125	192	92	16	167	3
150	218	114	18	198	4
200	273	158	22	248	7
250	328	200	24	308	13