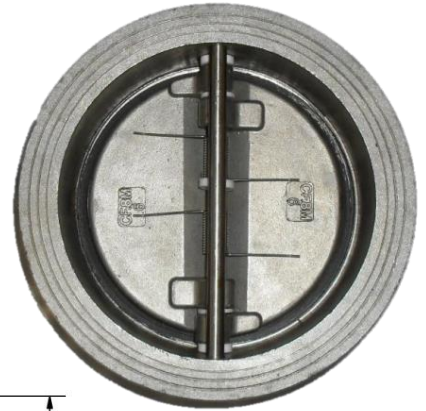


Wafer Double Door Check Valve – PN25 Full Stainless Steel

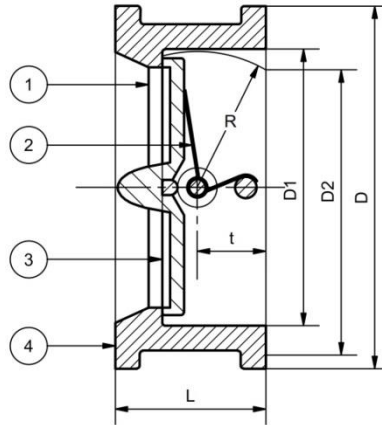
Application:

Check valves are used for preventing back flow of liquid medium in pipes. The valves close automatically with the return flow of the liquid medium.

PN25



Material List		
Item	Part	Material
1	Disc	Stainless Steel (316)
2	Spring	Stainless Steel
3	Gasket	Viton
4	Body	Stainless Steel (316)



Dimensions								
Size		D	D1	D2	L	R	T	Mass (kg)
mm	Inch							
50	2"	107	65	43.3	43	28.8	19	1.5
65	2.5"	127	80	40.2	46	36.1	20	2.4
80	3"	142	94	66.4	64	43.4	28	3.6
100	4"	162	117	90.8	64	52.8	27	5.7
125	5"	192	145	116.9	70	65.7	30	7.3
150	6"	218	170	144.6	76	78.6	31	9
200	8"	273	224	198.2	89	104.4	33	17
250	10"	328	265	233.7	114	127	50	26
300	12"	378	310	283.9	114	148.3	43	42
350	14"	438	360	332.9	127	172.4	45	55
400	16"	489	410	381	140	197.4	52	75
450	18"	539	450	419.9	152	217.8	58	101
		555						107
500	20"	594	505	467.8	152	241	58	111
600	24"	690	624	572.6	178	295.4	73	172
700	28"	800	720	680	229	354	98	219
800	32"	911	800	744	241	407	100	-