

Wafer Double Door Check Valve – PN16

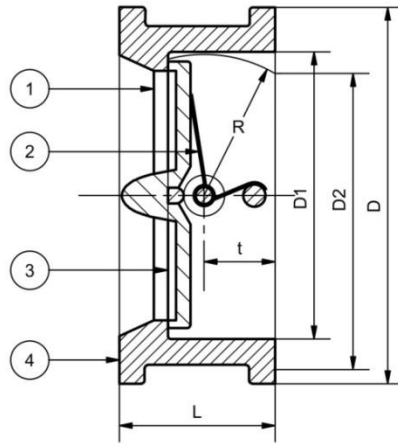
Application:

Check valves are used for preventing back flow of liquid medium in pipes. The valves close automatically with the return flow of the liquid medium.

PN16



| Material List | | |
|---------------|--------|--|
| Item | Part | Material |
| 1 | Disc | Nickel Plated Ductile Iron or Stainless Steel (304SS or 316SS) |
| 2 | Spring | Stainless Steel |
| 3 | Gasket | NBR Rubber / EPDM / Viton |
| 4 | Body | Cast Iron (GG 25), Epoxy Powder Coated |



| Dimensions | | | | | | | | |
|------------|------|------|-----|-------|-----|-------|-----|-----------|
| Size | | D | D1 | D2 | L | R | T | Mass (kg) |
| mm | Inch | | | | | | | |
| 50 | 2" | 107 | 65 | 43.3 | 43 | 28.8 | 19 | 2 |
| 65 | 2.5" | 127 | 80 | 60.2 | 46 | 36.1 | 20 | 2 |
| 80 | 3" | 142 | 94 | 66.4 | 64 | 43.4 | 28 | 4 |
| 100 | 4" | 162 | 117 | 90.8 | 64 | 52.8 | 27 | 4 |
| 125 | 5" | 192 | 145 | 116.9 | 70 | 65.7 | 30 | 7 |
| 150 | 6" | 218 | 170 | 144.6 | 76 | 78.6 | 31 | 8 |
| 200 | 8" | 273 | 224 | 198.2 | 89 | 104.4 | 33 | 15 |
| 250 | 10" | 328 | 265 | 233.7 | 114 | 127 | 50 | 26 |
| 300 | 12" | 378 | 310 | 283.9 | 114 | 140 | 43 | 35 |
| 350 | 14" | 438 | 360 | 332.9 | 127 | 152 | 45 | 55 |
| 400 | 16" | 489 | 410 | 381 | 140 | 152 | 52 | 73 |
| 450 | 18" | 539 | 450 | 419.9 | 152 | 217.8 | 58 | 81 |
| | | 555 | | | | | | 81 |
| 500 | 20" | 594 | 505 | 467.8 | 152 | 241 | 58 | 124 |
| 600 | 24" | 695 | 624 | 572.6 | 178 | 295.4 | 73 | 187 |
| 700 | 28" | 820 | 720 | 680 | 229 | 338.5 | 98 | 219 |
| 800 | 32" | 915 | 825 | 744 | 241 | 385.5 | 100 | |
| 900 | 36" | 1015 | 927 | | 241 | 455.5 | 100 | 435 |