

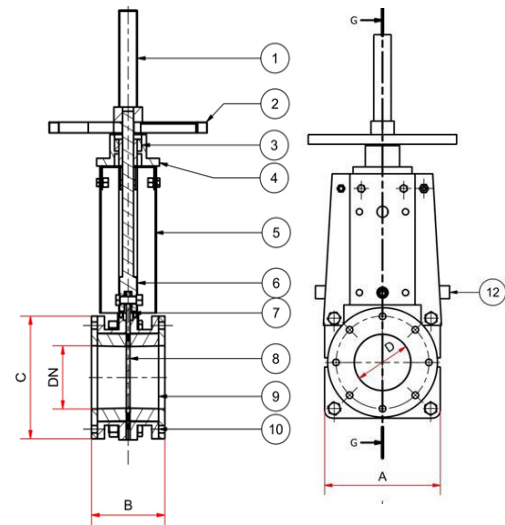
# Knife Gate Valve

## Flanged High Performance

- Flanged
- Bi-directional
- Sleeves are easily replaceable
- Suitable for wet and dry mediums
- Optimal for slurry use
- Double seat design for highly abrasive mediums
- Hand Wheel Operated
- Actuation on request
- Gearbox on request



Material List		
Item	Description	Material
1	Spindle Cover	Mild Steel
2	Hand Wheel	SG Iron – GRD 420/12
3	Brass Yoke Nut	DZR Brass
4	Bearing Housing	SG Iron – GRD 420/12
5	Yoke Plate	Mild Steel – Epoxy Coated
6	Spindle	Stainless Steel - GRD 410
7	Gland Packing	Graphite
8	Gate	Stainless Steel – GRD 304
9	Replaceable Rubber Sleeve	NBR / Natural Rubber
10	Body	SG Iron – GRD 420 / 12 / WCB
11	Indicator	Mild Steel



Dimensions					
DN	A	B	C	D	Mass (kg)
80	220	170	200	75	25
100	250	170	220	98	32
150	300	180	285	149	55
200	360	195	340	200	88
250	415	235	395	250	98
300	480	275	445	295	130
350	540	275	505	348	186
400	600	300	565	378	248