

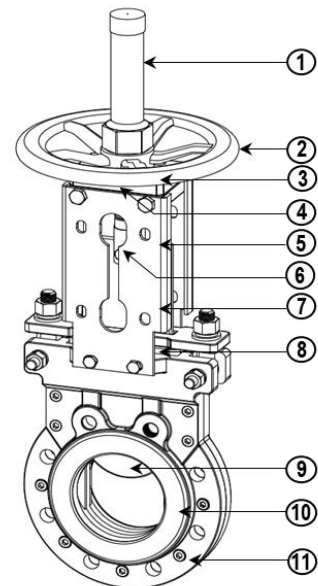
Knife Gate Valve

Wafer High Performance Polyurethane Lined

- WCB Body Polyurethane Lined
- 304ss Gate (316SS Gate on request)
- PN10
- Hand Wheel Operated
- Actuation on request
- Gearbox on request
- Heavy Duty Option



Material List		
Item	Description	Material
1	Spindle Cover	Mild Steel Epoxy Coated
2	Hand Wheel	S.G Iron – Grd 420/12
3	Bearing Housing	Mild Steel Epoxy Coated
4	Brass Nut	LG2
5	Yoke Plate	Mild Steel Epoxy Coated
6	Spindle	Stainless Steel Grd 410
7	Dust Boot	PVC
8	Gland Packing	Teflon
9	Blade	Stainless Steel Grd 304
10	Rubberlining	Polyurethane
11	Valve Body	WCB



Dimensions								
DN	A	B	C	D	E	F	G	Mass (kg)
50	75	310	22	105	200	46	164	12
80	100	350	23	135	219	50	200	16
100	110	420	23	150	219	56	220	20
150	140	525	25	205	275	64	285	33
200	165	640	30	255	345	76	341	53
250	195	785	33	315	395	80	395	77
300	223	890	36	360	395	85	447	94
350	250	1040	47	413	395	85	506	141
400	285	1140	55	465	495	105	567	195
450	310	1305	55	515	495	120	614	260
500	335	1470	63	565	590	125	665	320
600	385	1650	63	665	590	125	780	448

