

# Knife Gate Valve

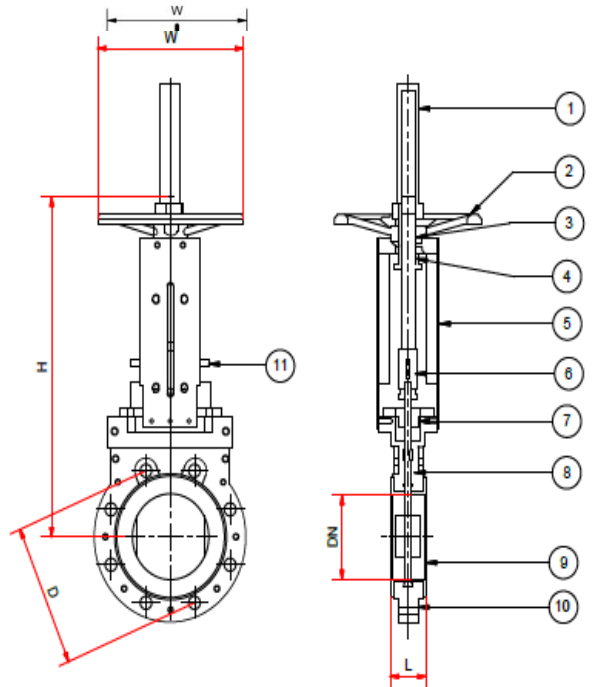
## Wafer Standard Pattern

### Ceramic Lined



- Ductile Iron Body
- FBE Coated
- 304SS Gate
- NBR Seat
- Ceramic Liner
- PN10
- Hand Wheel or Pneumatic Operated

Material List		
Item	Part	Material
1	Spindle Protection Tube	Mild Steel - FBE Coated
2	Hand Wheel	S.G Iron - FBE Coated
3	Grub Screw	Stainless Steel
4	Thrust Bush	DZR Brass
5	Locking Pin	Stainless Steel 410 (Extra)
6	Yoke Plate	Mild Steel - FBE Coated
7	Wiper Packing	PTFE - Graphite Backing
8	Engineering Studs	Stainless Steel
9	Deflector Cone	Ceramic Disc
10	Rubber Seal	NBR Rubber, EPDM
11	Body	S.G Iron - FBE Coated
12	Gate	Stainless Steel 304 or 316
13	Seal Wiper Blade	PTFE
14	Gland Cover Plate	SG Iron
15	Rubber Boot	NBR Rubber
16	Spindle	Stainless Steel 410
17	Bearings	Stainless Steel
18	Head Thrust Nut	S.G Iron - FBE Coated



Dimensions					
DN	L	H	W	D	Mass (kg)
50	43	337	180	125	8
80	46	400	250	160	11
100	52	466	250	180	23
150	56	633	300	240	35
200	60	744	350	295	45
250	68	940	400	350	68
300	78	1087	500	400	155