

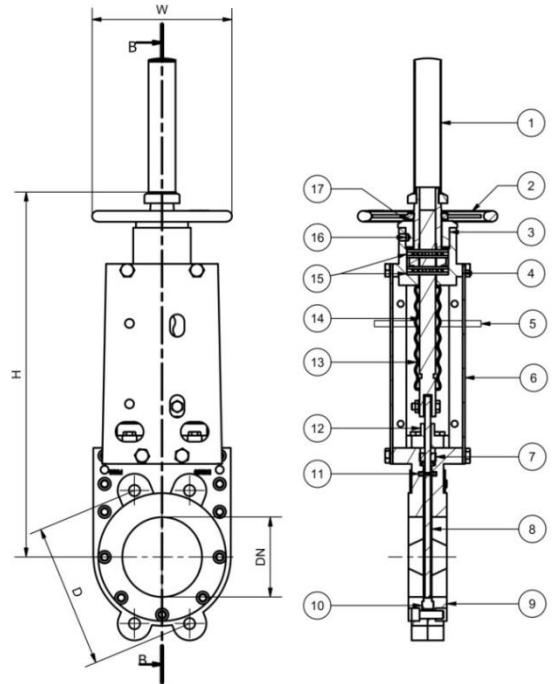
Knife Gate Valve

Wafer Standard Pattern

- Ductile Iron Body
- FBE Coated
- 304SS Gate
- NBR Seat
- PN10
- Hand Wheel or Pneumatic Operated



Material List		
Item	Part	Material
1	Spindle Protection Tube	Mild Steel - FBE Coated
2	Hand Wheel	S.G Iron - FBE Coated
3	Head Housing	S.G Iron - FBE Coated
4	Thrust Bush	DZR Brass
5	Locking Pin	Stainless Steel 410 (Extra)
6	Yoke Plate	Mild Steel - FBE Coated
7	Wiper Packing	PTFE - Graphite Backing
8	Gate	Stainless Steel 304 or 316
9	Body	S.G Iron - FBE Coated
10	Rubber Seal	NBR Rubber, EPDM
11	Seal Wiper Blade	PTFE
12	Gland Cover Plate	S.G Iron - FBE Coated
13	Rubber Boot	NBR Rubber
14	Spindle	Stainless Steel 410
15	Bearings	Stainless Steel
16	Grub Screw	Stainless Steel
17	Head Thrust Nut	S.G Iron - FBE Coated



Dimensions					
DN	L	H	W	D	Mass (kg)
50	43	337	180	125	8
80	46	400	250	160	11
100	52	466	250	180	23
150	56	633	300	240	35
200	60	744	350	295	45
250	68	940	400	350	68
300	78	1087	500	400	155