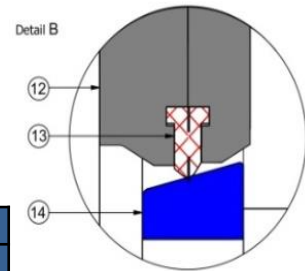
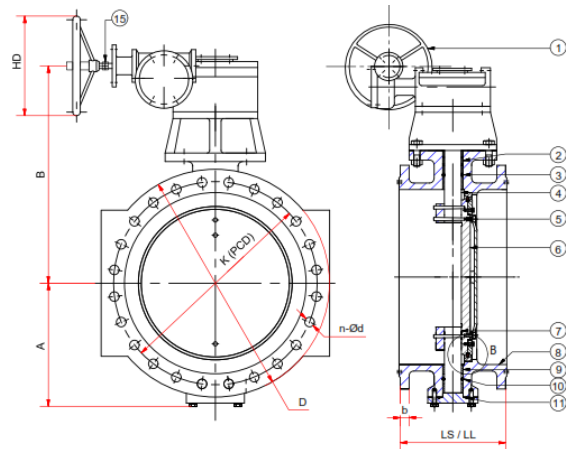


# Double Eccentric Flanged Butterfly Valve PN25

- Double Eccentric Design, full bore
- Replaceable resilient seal fitted to the blade
- Blade is a single casting with hydrofoil section on a smooth surface
- Seal Retaining Ring – Stainless Steel
- Applied Standard EN593 (BS5155); Operating Temperature 0°C to 70°C
- Media: Water and Neutral Liquids
- Grade of Materials Body & Disc: SG Iron EN1563 GJS400-154, Fusion Bonded, Epoxy Coated
- Low Closing Torques, Tight shut off type; Mechanical stops in gearbox
- Stub shaft design configuration with a distance in excess of 1.5 the diameter of the shaft is concealed in hubs
- Test pressure as per DWS 2510/04



Material List		
Item	Description	Material
1	Hand Wheel	Ductile Iron - GGG40 – FBE
2	Bush	Self Lubricating Bronze / Vesconite
3	O – Ring	NBR / EPDM
4	Spindle	Stainless Steel - Grd 410
5	Pin	Stainless Steel - Grd 410
6	Disc	Ductile Iron - GGG40 – FBE
7	Spindle	Stainless Steel - Grd 410
8	Body	Ductile Iron - GGG40 – FBE
9	Bush	Self Lubricating Bronze / Vesconite
10	O – Ring	NBR / EPDM
11	O – Ring	NBR / EPDM
12	Retaining Ring	Stainless Steel - Grd 304
13	Replaceable Sealing Ring	NBR / EPDM
14	Sealing Ring	Stainless Steel - Grd 304
15	Clutch	Hardened Steel



Dimensions									
Size		Short	Long	PN25					
mm	inch	LS	LL	A	B	HD	D	K (PCD)	b (Min.)
100	4"	127	190	130	180	180	235	180	19
150	6"	140	210	162	216	180	300	240	19
200	8"	152	230	215	254	250	360	295	20
250	10"	165	250	224	295	250	425	355	22
300	12"	178	270	272	387	300	485	410	25
350	14"	190	290	315	431	300	555	470	27
400	16"	216	310	351	472	300	620	525	28
450	18"	222	330	379	490	300	670	585	30
500	20"	229	350	420	544	300	730	650	32
600	24"	267	390	440	672	300	845	770	36
700	28"	292	430	569	772	300	960	840	40
800	32"	318	470	570	802	300	1085	950	43
900	36"	330	510	627	819	300	1185	1050	47
1000	40"	410	550	706	960	300	1255	1160	50