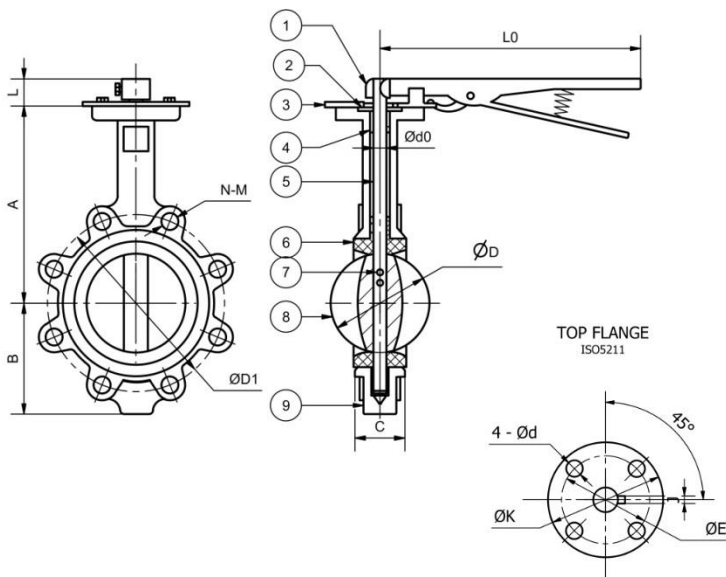


# Wafer Butterfly Valve Fully Lugged PN16



- 1600kPa (16 Bar)
- Blow out proof Stainless Steel Stem
- Integral EPDM cartridge type replaceable liner
- Hand Lever or Gearbox Operated versions available
- SABS tested and JASWIC compliant
- BS5155 compliant
- Fully Lugged
- Drilling BS4504\*

Material List		
Item	Part	Material
1	Hand Lever	Cast Iron
2	O – Ring	EPDM / NBR
3	Catch Plate	304 Stainless Steel
4	Bushing	PTFE
5	Spindle	416 Stainless Steel
6	Seat	EPDM / NBR
7	Pin	316 Stainless Steel
8	Disc	316 Stainless Steel (CF8M)
9	Body	GGG40



Dimension													
DN	A	B	C	ØD	L0	Ød0	ØD1	N-M	Top Flange (ISO5211)	K	E	4-Ød	Mass (kg)
50	161	80	42	52.9	266	12.6	125	4 - M16	F07	90	70	4 - 9	
65	175	89	44.7	64.5	266	12.6	145	4 - M16	F07	90	70	4 - 9	
80	181	95	45.2	78.8	266	12.6	160	8 - M16	F07	90	70	4 - 9	
100	200	114	52	104	266	15.77	180	8 - M16	F07	90	70	4 - 9	
125	213	127	54.4	123.3	266	18.92	210	8 - M16	F07	90	70	4 - 9	
150	226	139	55.8	155.1	266	18.92	240	8 - M20	F07	90	70	4 - 9	
200	260	175	60.6	202.5	355	22.1	295	12 - M20	F10	125	102	4 - 12	
250	292	203	65.6	250.5	505	28.45	355	12 - M24	F10	125	102	4 - 12	
300	337	242	76.9	301.6	505	31.6	410	12 - M24	F10	140	102	4 - 12	