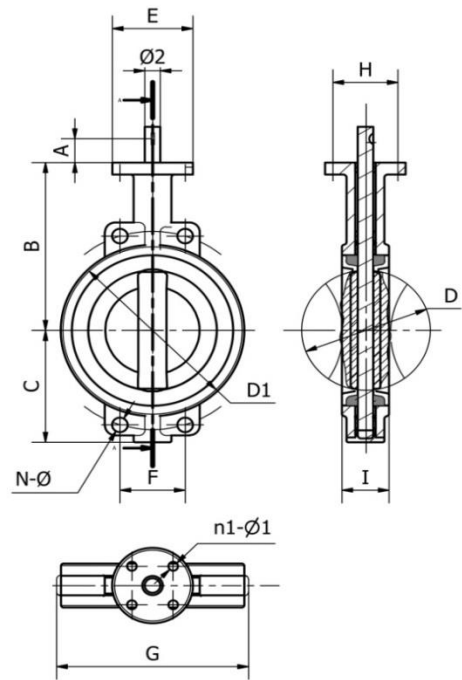


Wafer Butterfly Valve Polyurethane PN16

- 1600Kpa (16 Bar)
- Tungsten Carbide Coated 316SS disc
- Epoxy powder coated body
- Blow out proof Stainless steel stem
- Integral Polyurethane cartridge type replaceable liner
- Lever or gearbox operated
- SABS tested and JASWIC compliant
- BS5155 compliant



Material List	
Description	Material
Body	Cast Iron
Disc	SGI 304SS / 316SS / Tungsten Carbide Coated 316SS
Liner	Polyurethane
Lever Handle or Gearbox Operated	



Size		A	B	C	D	D1	E	F	N-ø	G	H	n1-ø1	ø2	I	Torq Nm	Mass (kg)
mm	Inch															
50	2"	32	161	80	52.9	120	77	84.8	4-23	118	50	4-6.7	13	42	17	2.5
65	2.5"	32	175	89	64.5	136	77	96.2	4-26.5	137	50	4-6.7	13	44.7	30	3.2
80	3"	32	181	95	78.8	160	77	61.2	8-18	143	50	4-6.7	13	45.2	39	3.6
100	4"	32	200	114	104	185	92	70.8	4-24.5	156	70	4-10.3	16	52.1	62	4.9
125	5"	32	213	127	123	215	92	82.3	4-23	190	70	4-10.3	19	54.4	95	7
150	6"	32	226	139	156	238	92	91.1	4-25	212	70	4-10.3	19	55.8	138	7.8
200	8"	45	260	175	203	295	115	112.8	4-25	268	102	4-14.3	22	60.6	226	13.2
								76.4	4-23							
250	10"	45	292	203	251	357	115	92.4	4-29	325	102	4-14.3	29	65.6	360	19.2
300	12"	45	337	242	302	407	140	105	4-29	403	102	4-14.3	32	76.9	514	32.5