

# Wafer Butterfly Valve

## Solid Disc PTFE (F4) PN10

- Two Piece Split Body
- Application: Corrosive media
- 10 Bar Rated



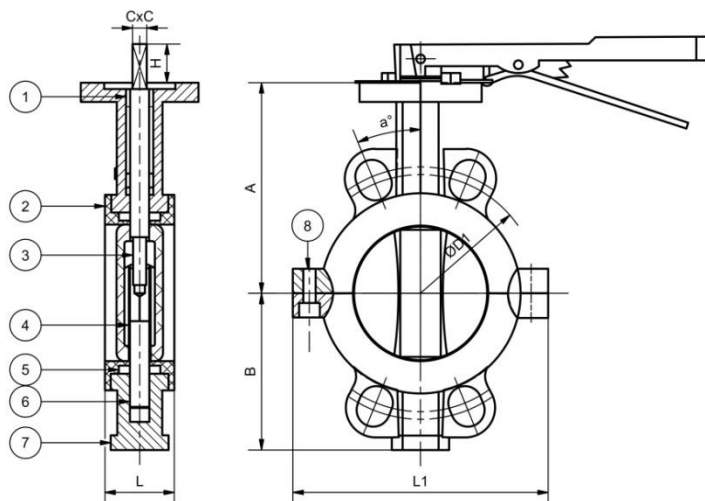
### STANDARDS

- Design and Manufacture to API Std 609
- Inspection and Test to API Std 609
- Face to Face Dimensions: EN558 / MSS-67-1995
- Connection Dimension Flanged Type

### TEST SPECIFICATION

- Shell Test Pressure (Water) 15/24 Bar
- Seal Test Pressure (Water)
- Suitable Temperature: - 20°C~ 180°C

Material List		
Item	Part	Material
1	Bush	Phenolic Resin
2	Sleeve	Stainless Steel 304
3	Spindle	Stainless Steel 410
4	Disc	WCB, PTFE Lined 6mm
5	Seat	PTFE
6	Shaft	Stainless Steel 410
7	Body	Ductile Iron
8	Cap Screw	Stainless Steel 304



Dimensions									
DN	L	Ø D1	a°	A	B	H	CxC	L1	Mass (kg)
50	43	125	45°	135	71	30	9x9	125	3
65	46	145	45°	135	80	30	9x9	136	3.4
80	46	160	22.5°	138	90	30	9x9	156	4
100	52	180	22.5°	158	118	30	11x11	190	5.1
125	56	210	22.5°	175	132	30	14x11	210	8
150	56	240	22.5°	190	116	30	14x14	210	8.5
200	60	295	22.5° / 15°	228	176	40	17x17	296	14
250	68	350 / 355	15°	268	215	40	22x22	360	25
300	78	100	11.25°	300	254	45	24x24	420	52
350	78	460	11.25°	335	280	45	24x24	470	58
400	102	515	11.25°	385	320	51	27x27	545	120