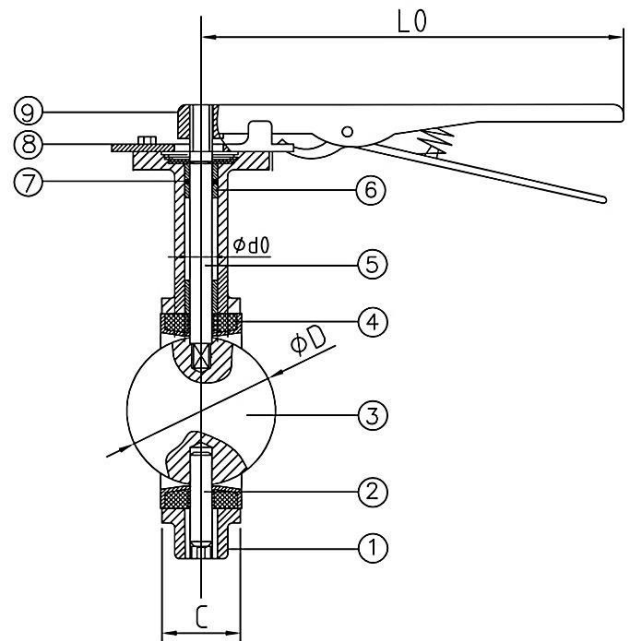
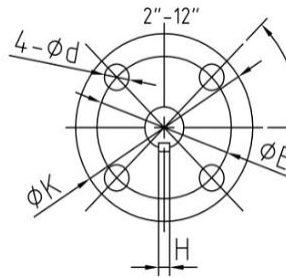
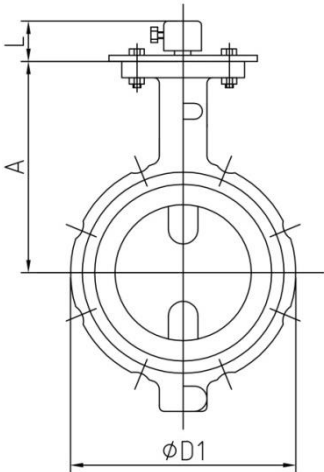


# Wafer Butterfly Valve PN25

- 2500Kpa (25 Bar)
- Stainless Steel (316) Disc Pinless Design
- Epoxy powder coated body
- Blow out proof stainless steel stem
- Cartridge liner EPDM
- Hand lever or gearbox operated versions available



Material List		
Item	Part	Material
1	Body	S.G Iron - Grd GGG40
2	Stem	Stainless Steel - Grd431
3	Disc	Stainless steel - Grd CF8M
4	Seat	EPDM
5	Stem	Stainless Steel - Grd431
6	Bushing	PTFE
7	O-Ring	EPDM
8	Indicator Plate	Stainless Steel – Grd 304
9	Lever	Cast Iron



Dimensions											
DN	A	C	D	D1	E	K	4 - ød	L0	d0	H	Mass (kg)
50	116	41.5	52.9	104.65	211.4	90	4 - 10	266	14.3	3	3.2
80	123.95	44	78.8	130	250.4	90	4 - 10	266	14.3	3	4.5
100	152.4	51.3	104	174	281.4	90	4 - 10	266	15.77	5	5.8
150	165.1	55.3	155.1	218.5	322.7	90	4 - 10	266	18.92	5	8.7
200	204.14	60.1	202.5	283.6	395	125	4 - 12	355	22.1	5	14.7