

Underground Fire Hydrant

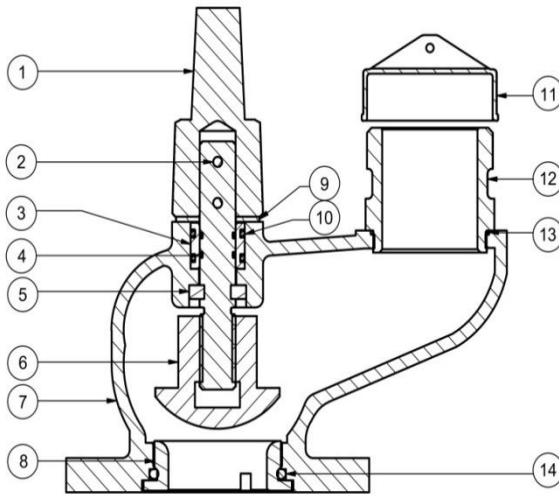
- Tamper Proof
- London Vee, London Round or Bayonet Outlets
- Right hand or Left Hand Closing
- DN 80m Inlet
- PN 20 Bar Rated
- Working Pressure: 20 bar
- Flow Rates: In Excess of 1200 litres per minute (SABS 1128)
- Gate: EPDM encapsulated Ductile Iron with 'Easy Seal' spherical shape, seals drip tight at low torque
- Weight: 9kg



London Round Outlet



London Vee Outlet



Part List		
Item	Description	Material
1	Cap Top	SG Iron - Grd 420/12
2	Cap Top Pin	Stainless Steel - Grd 316
3	Bush	Brass - DZR
4	O-Ring	Brass - DZR
5	Thrust Collar	Brass - DZR
6	Rubber Encapsulated Gate	SG Iron / EPDM / NBR
7	Body	SG Iron - Grd 420/12
8	Seat	Nickel Plated Ductile Iron
9	Thrust Washer	Nylon
10	O-Ring	NBR
11	Dust Cap	NBR
12	Thrust Collar	Brass - DZR
13	O-Ring	NBR
14	O-Ring	NBR